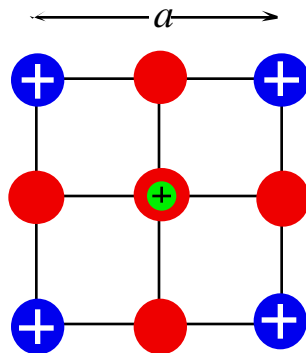
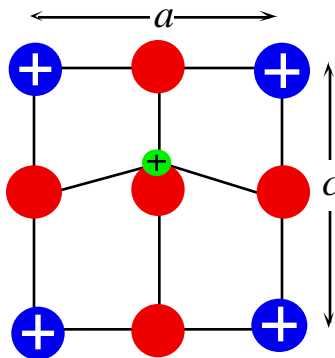


(a) BaTiO<sub>3</sub> cubic crystal structure above 130 °C



(b) BaTiO<sub>3</sub> cubic structure above 130 °C



(c) BaTiO<sub>3</sub> tetragonal structure below 130 °C

Fig. 7.41: BaTiO<sub>3</sub> has different crystal structures above and below 130°C which leads to different dielectric properties.